

**FLOOR PLAN**

SCALE: 1/4" = 1'-0"

**MATERIALS LIST:**

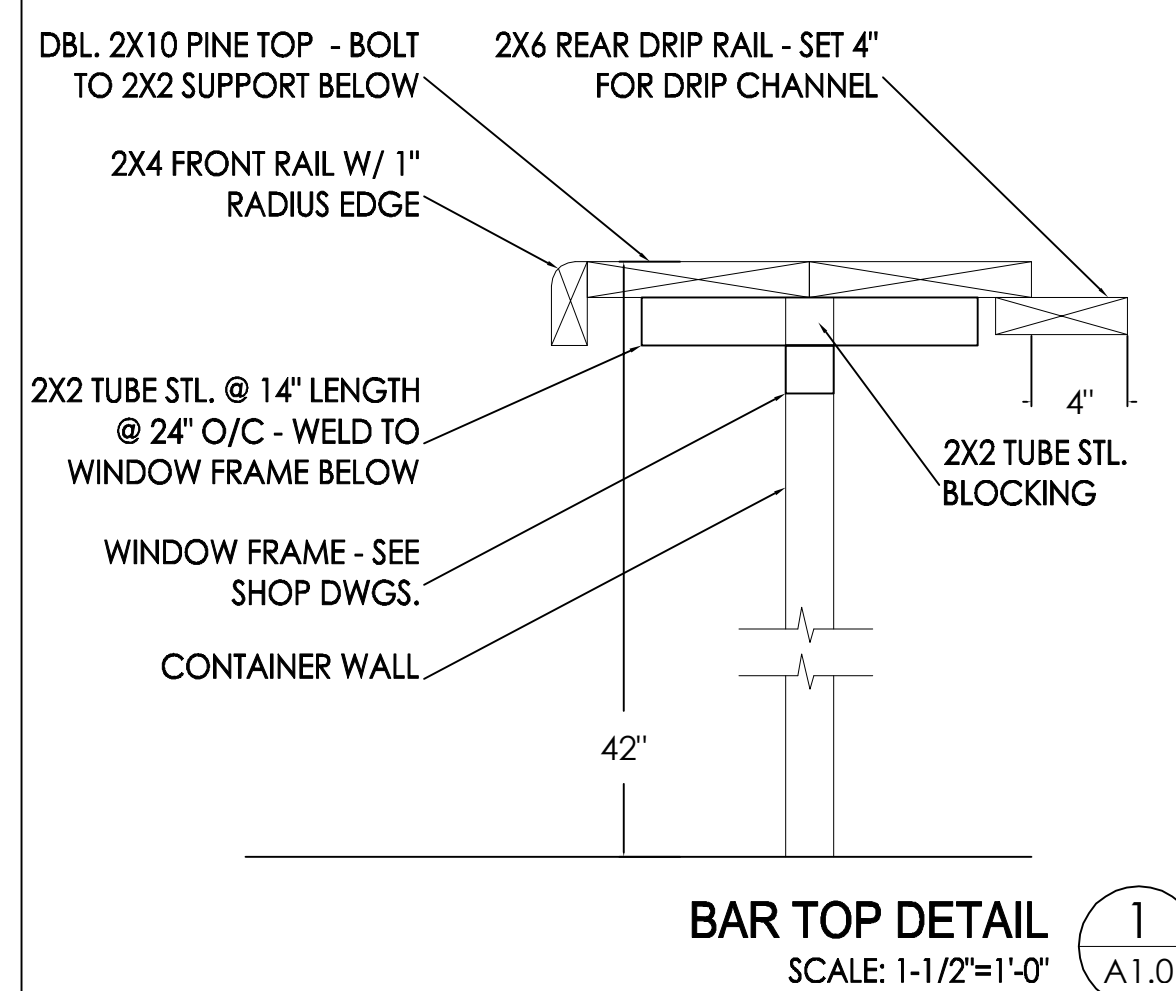
- 1 STEEL FREIGHT CONTAINER @ 40'-0" LONG, 8'-0" WIDE, @ 9'-6" HT. 2X4 POSTS AND BEAMS (WINDOWS/DOORS)
- 8 4" SCHED. 40 PIPES @ 20'-0" LENGTH (OUTRIGGERS)
- 3 4" SCHED. 40 PIPES @ 20'-0" LENGTH (SPICE AS NECESSARY) (POSTS)
- 2 5" SCHED. 80 ERW PIPES @ 30' LENGTH
- 1 5" SCHED. 80 ERW PIPES @ 24' LENGTH
- 5 5" SCHED. 80 ERW PIPES @ 18" LENGTH
- 8 5" SCHED. 80 ERW PIPES @ 12" LENGTH
- 10 5" SCHED. 80 ERW PIPES @ 6" LENGTH
- 19 5X5 1/4" PLATES, DRILLED @ CORNERS PER DETAIL (8 UNDRILLED)
- 1 6'-0" X 7'-0" HT. ROLL-UP STEEL DOORS
- 4 8'-0" X 3'-6" HT. ROLL-UP STEEL DOORS
- 15 7X3/4" THRU-BOLTS W/WASHERS & NUTS
- 6 8" ODx4.5" IDx1/2" THK. STEEL RINGS, EACH W/ 4 - 1/2" DRILLED HOLES
- 4 3'-0" x 6'-8" STEEL MAN-DOORS

**FLAGPOLE MATERIALS LIST (OPTIONAL):**

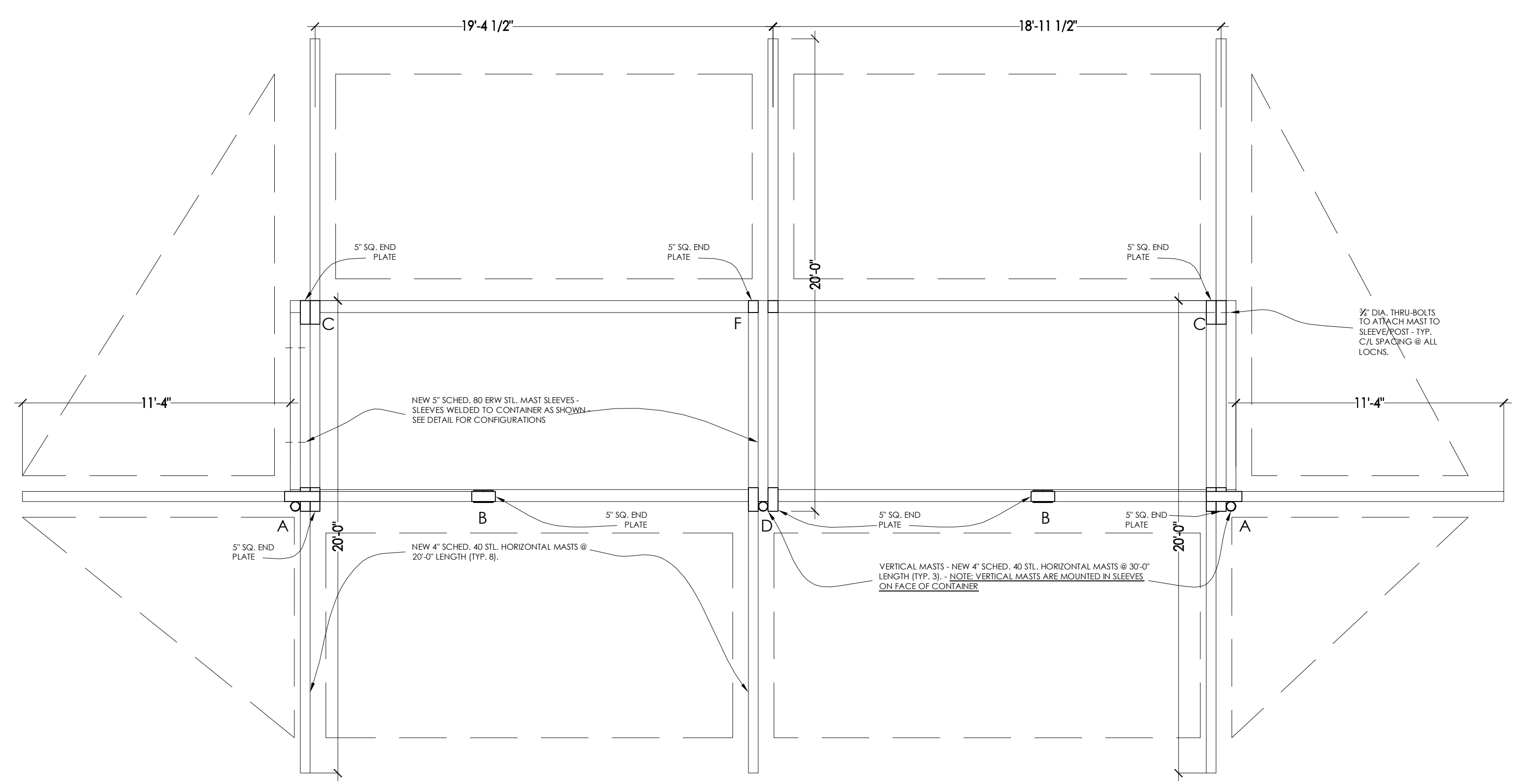
- 3 2" STEEL PIPE @ 19'-9" LENGTH
- 3 STEEL PULLIES
- 3 PIPE SLEEVES TO ACCEPT 2" DIA. FLAGPOLES @ 4'-9" LENGTH
- 9 1/2"X7" EYEBOLTS W/ WASHERS & NUTS

**NOTES:**

- 1. FIELD CHECK ALL DIMENSIONS BEFORE CUTTING. CONTAINERS WILL VARY.
- 2. ELECTRICAL, PLUMBING, SAIL ASSEMBLY, BAR & INTERIOR PARTITIONING MATERIALS SHOWN SEPARATELY.

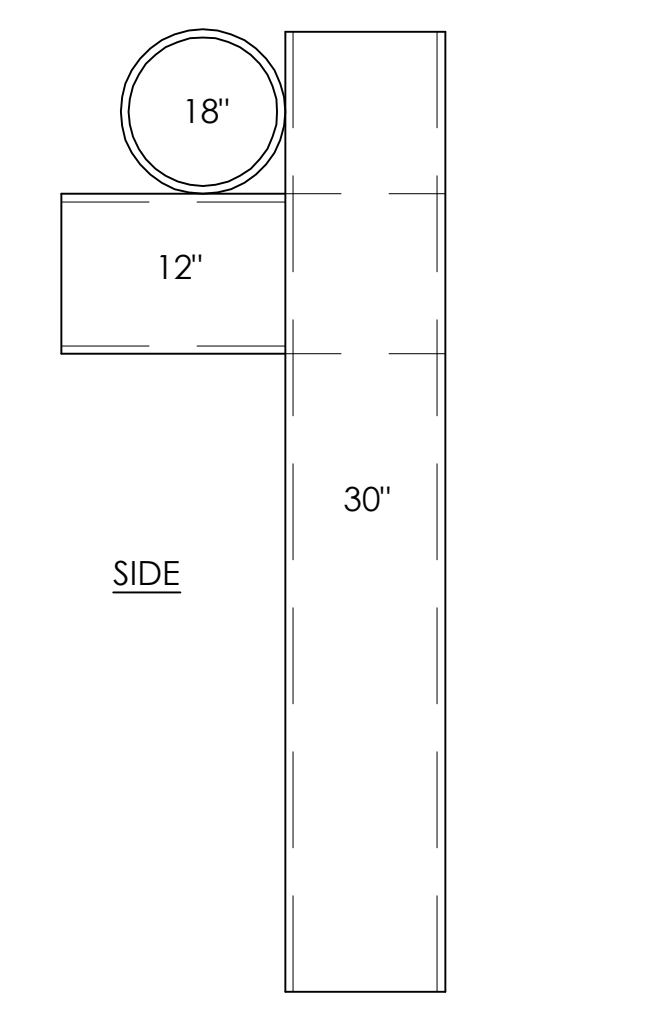
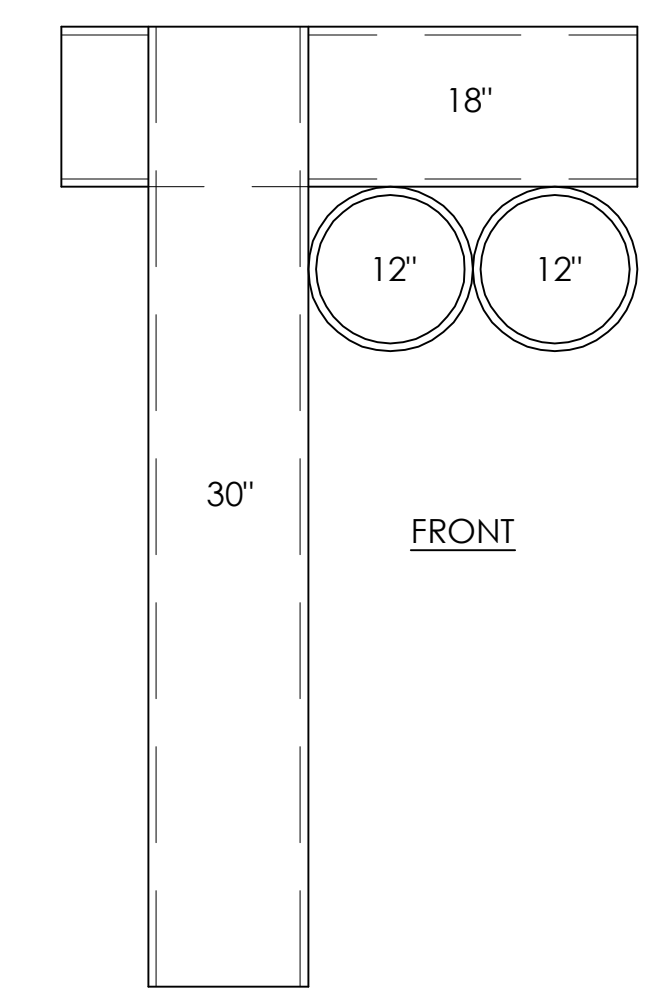
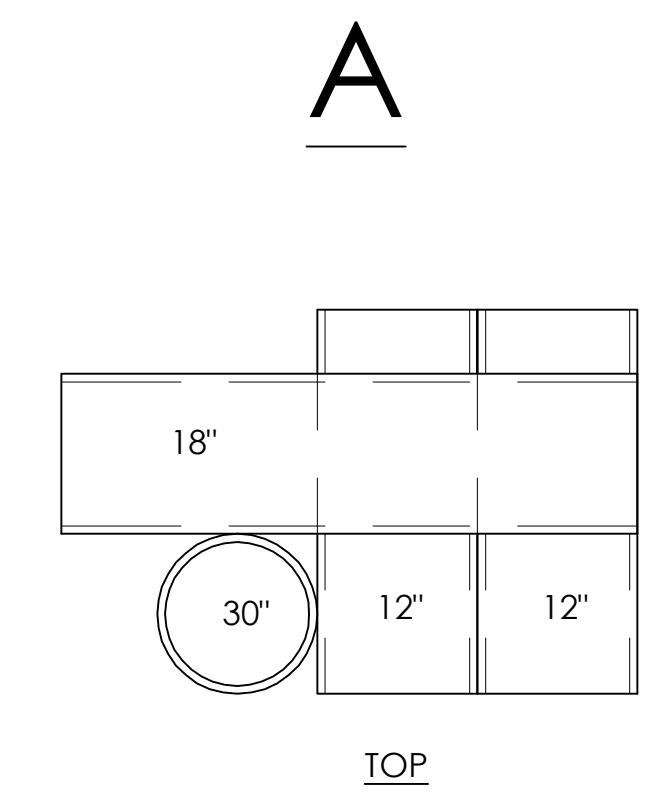


**BAR TOP DETAIL**  
SCALE: 1-1/2" = 1'-0"

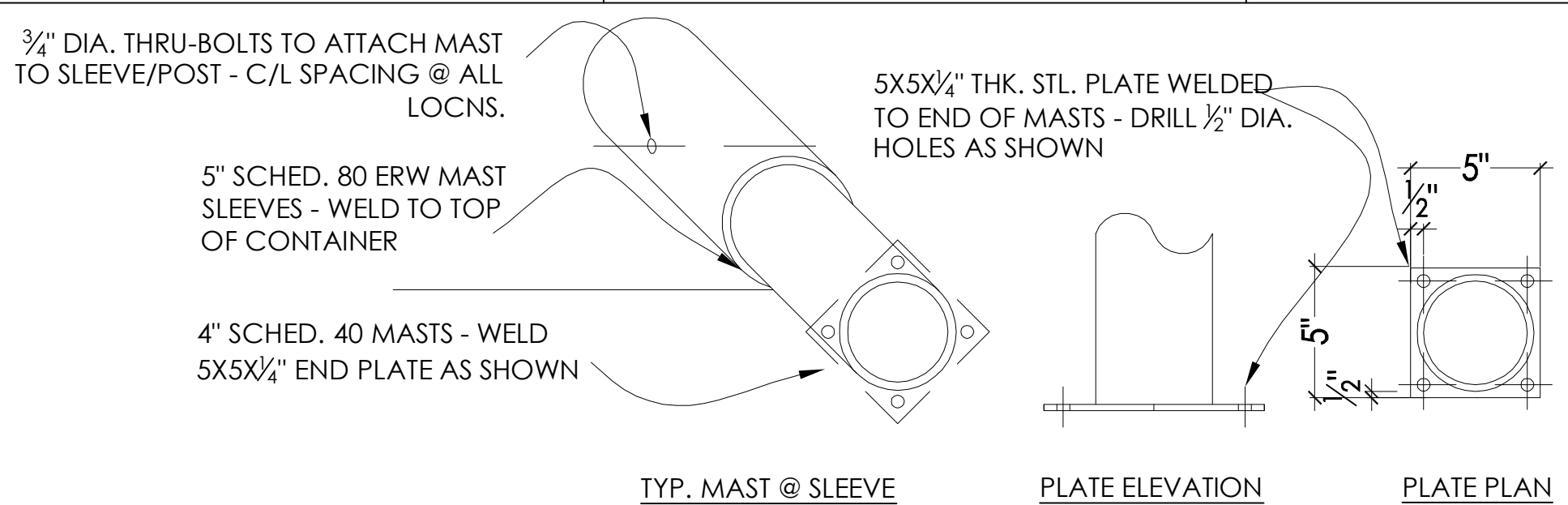
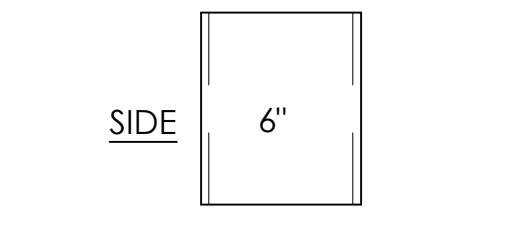
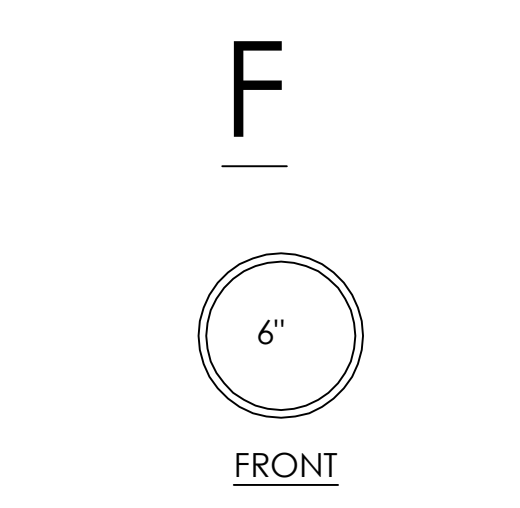
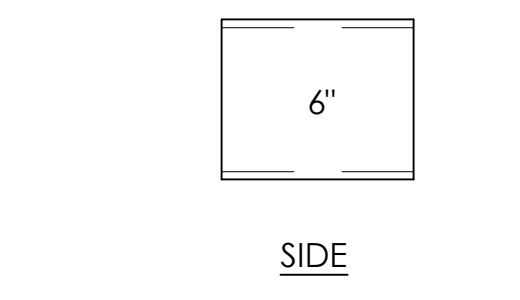
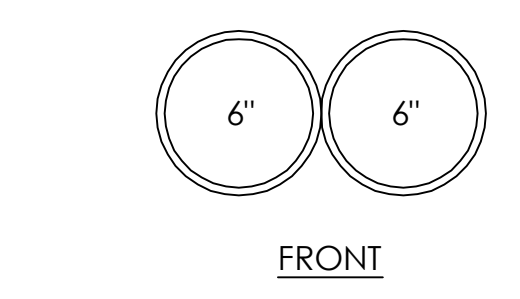
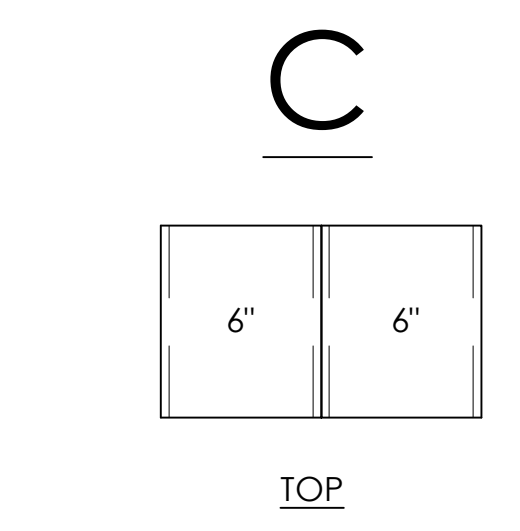
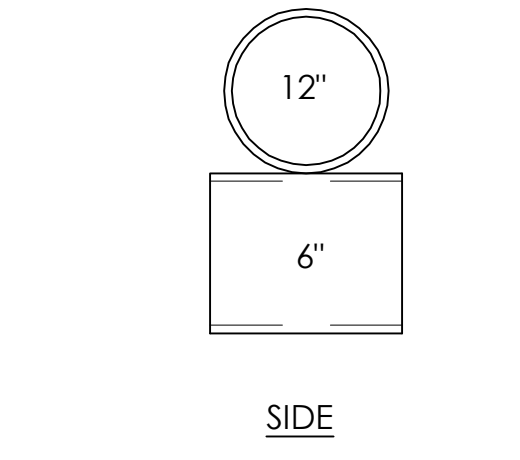
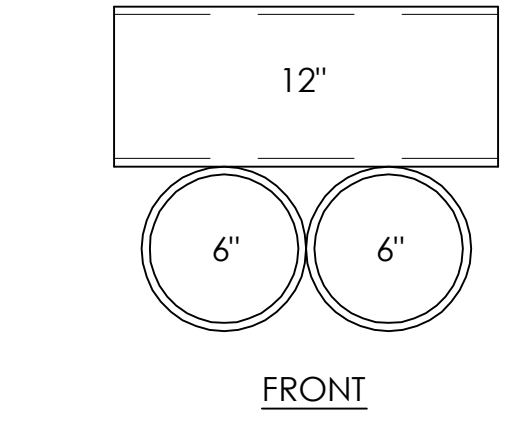
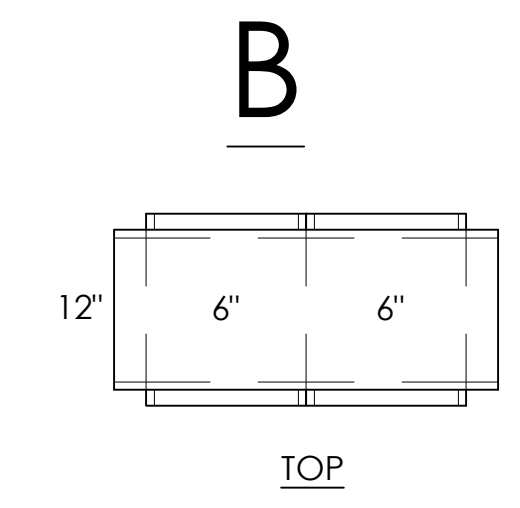
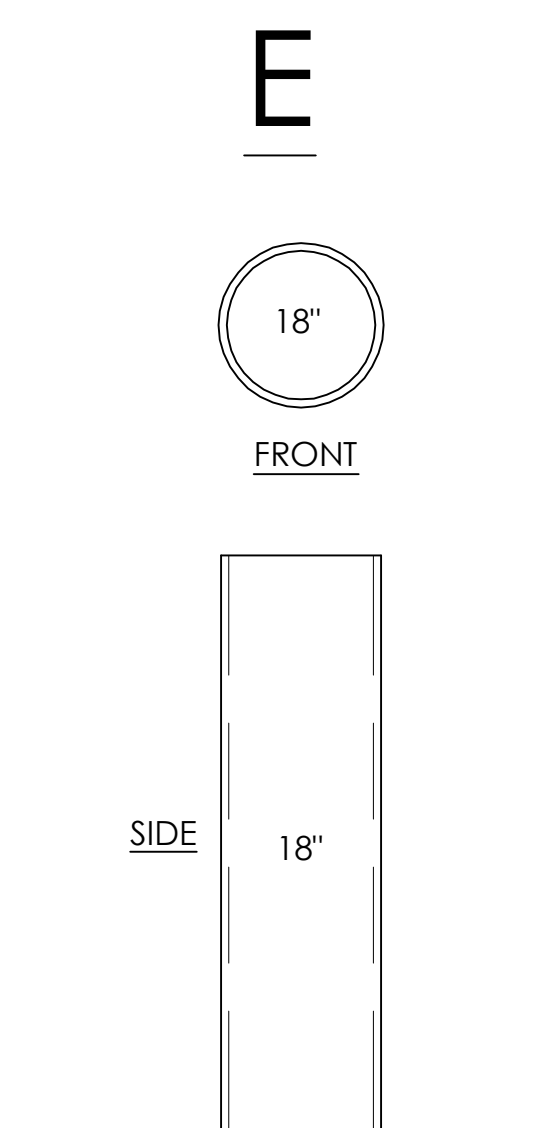
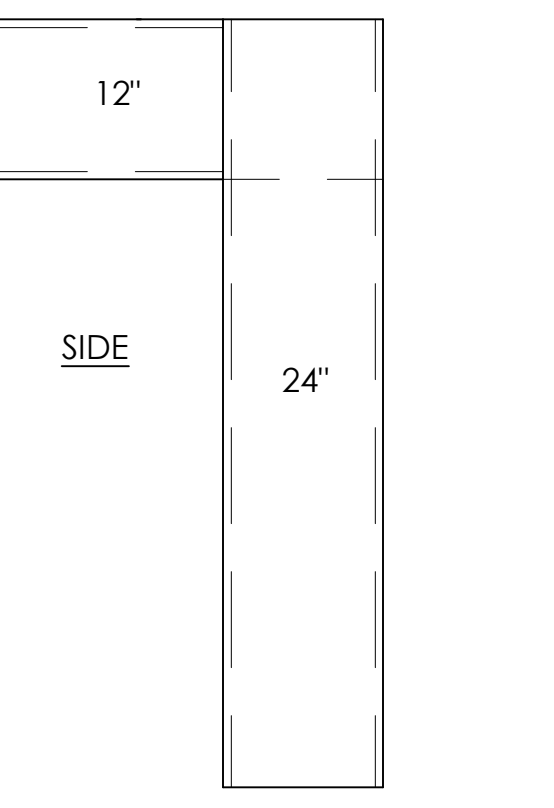
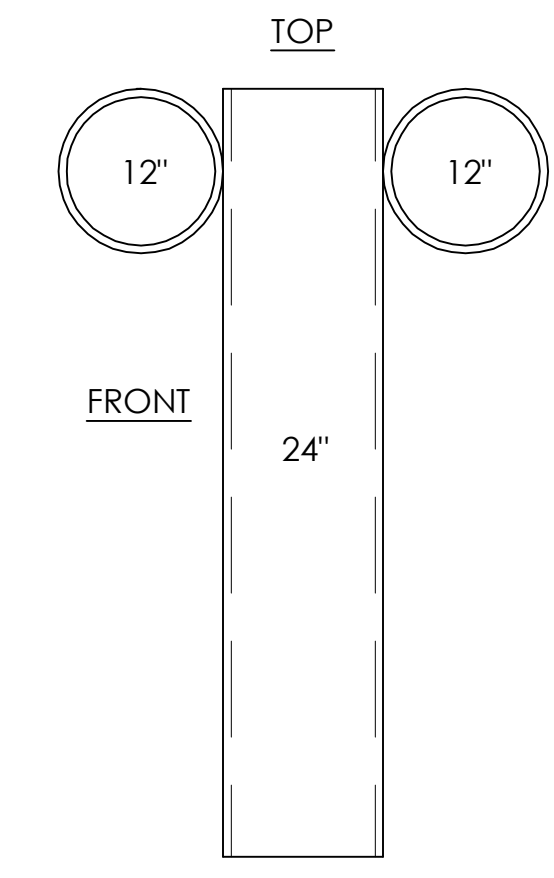
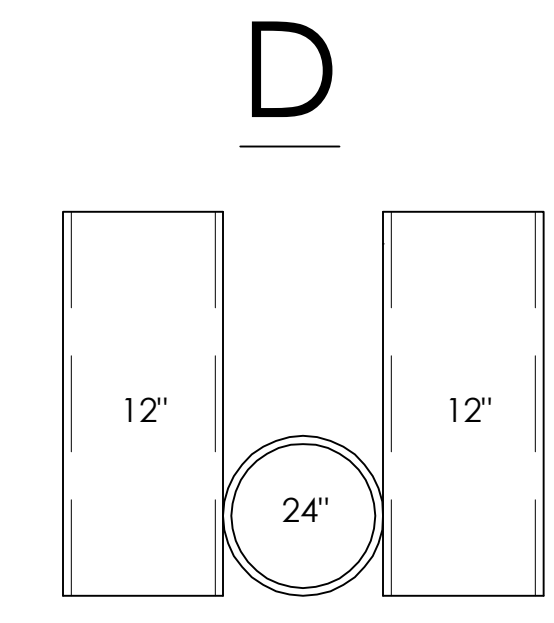


**SAIL PLAN/SUPPORT LAYOUT**

SCALE: 1/4" = 1'-0"



OPPOSITE SIDE TO BE MIRRORED



TYP. MAST @ SLEEVE PLATE ELEVATION PLATE PLAN